

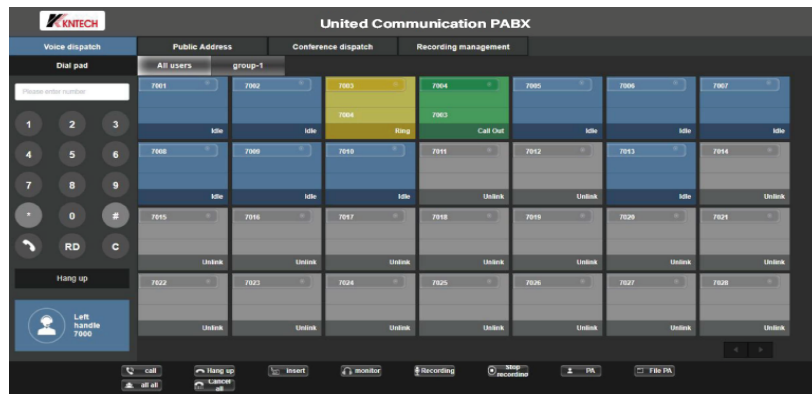
United Communication PABX

KNUC32 series UC PABX is a high-performance ANALOGUE/VoIP that supports a wide range capabilities.



Model	Description	Ports for Optional
KNUC32-4P	United with 4 FXO ports	32 Ports Optional
KNUC32-8P	United with 4 FXO ports	
KNUC32-16P	United with 16 FXO ports	
KNUC32-32P	United with 32 FXO ports	
KNUC32-4S	United with 4 FXS ports	
KNUC32-8S	United with 8 FXS ports	
KNUC32-16S	United with 16 FXS ports	
KNUC32-32S	United with 32 FXS ports	
KNUC32-4P-4S	United with 4 FXO ports+4 FXS ports	
KNUC32-4P-8S	United with 4 FXO ports+8 FXS ports	
KNUC32-4P-16S	United with 4 FXO ports+16 FXS ports	
KNUC32-4P-18S	United with 4 FXO ports+18 FXS ports	
KNUC32-4P-20S	United with 4 FXO ports+20 FXS ports	
KNUC32-4P-22S	United with 4 FXO ports+22 FXS ports	
KNUC32-4P-24S	United with 4 FXO ports+24 FXS ports	
KNUC32-4P-26S	United with 4 FXO ports+26 FXS ports	
KNUC32-8P-4S	United with 8 FXO ports+4 FXS ports	
KNUC32-8P-8S	United with 8 FXO ports+8 FXS ports	
KNUC32-8P-16S	United with 8 FXO ports+16 FXS ports	
KNUC32-16P-4S	United with 16 FXO ports+4 FXS ports	
KNUC32-16P-8S	United with 16 FXO ports+8 FXS ports	
KNUC32-16P-16S	United with 16 FXO ports+16 FXS ports	
KNUC64-32P-32S	United with 32 FXO ports+32 FXS ports	64 Ports Optional
KNUC96-48P-48S	United with 48 FXO ports+48 FXS ports	96 Ports Optional
KNUC128-64P-64S	United with 64 FXO ports+64 FXS ports	128 Ports Optional
KNUC160-80P-80S	United with 80 FXO ports+80 FXS ports	160 Ports Optional
KNUC192-96P-96S	United with 96 FXO ports+96 FXS ports	192 Ports Optional
KNUC32Pro-optional module	Dual AC power supply ports and dual network ports, that is to say, dual power supply and dual network redundancy function.	

VoIP licenses order number: LL-VOIP. Up to 30 IP devices managed extra.



 **Strongest-possible:** Security protection using HTTP.

 **Built-in call recording server:** Recordings accessed via web user interface.

SIP Supports call queue: For efficient call volume management.

Additional Features

Multi language support	Web user interface supports English / Simplified Chinese, customizable IVR / voice prompts in English, Chinese, Spanish, French, Russian, Arabic
Caller ID	ETSI-DTMF
Call Center	Supports call queues.
Customize Auto	Supports VR (Interactive Voice Response)
Members	Calls waiting, Call transfer, Ringing group, Subgroup, meeting, broadcast, blacklist, call / intercom, etc
SIP TRUNK	20
Interface	NTP, SIP, HTTP, SNMP, PSTN FXO, E&M.



Key Features

Supports SIP 2.0:

Complies with the latest SIP standards, making it interoperable with a wide range of VOIP equipment.

Wide range of voice codecs:

Supports a variety of voice codecs, including G,711A/u,G,7231 high/low, and G,729, This ensures that calls are clear and reliable, even over long distances.

Echo cancellation:

Features echo cancellation to reduce echo and improve call quality.

Real-Time Status Display:

Supports point to point calling for direct communication between two endpoints.

DTFM mode:

Supports DTFM mode for caller ID and other features.

Fax:

Supports fax over IP for sending and receiving faxes.

SIP application:

Supports a variety of SIP applications, such as call transfer, call waiting, and caller ID.

WAN DHCP Client:

Can obtain an IP address from a DHCP server.

SNTP Client:

Can synchronize its time with an SNTP server.

Website configuration:

Can be configured and managed via a web browser.

Advanced Functions

Support **1-192 FXO/FXS/E&M** ports. For option.

All the ports can call each other. PSTN line can call external line.

Can order extra 32 VOIP licenses. Total 64 ports.

Can be integrated with existing phone systems, making it a seamless transition to VOIP.

Can be used to connect to a variety of VoIP providers, giving you the flexibility to choose the best one for your needs.

Benefits

- **Scalability:**

Is a scalable solution that can expand with the needs of your business.

- **Flexibility:**

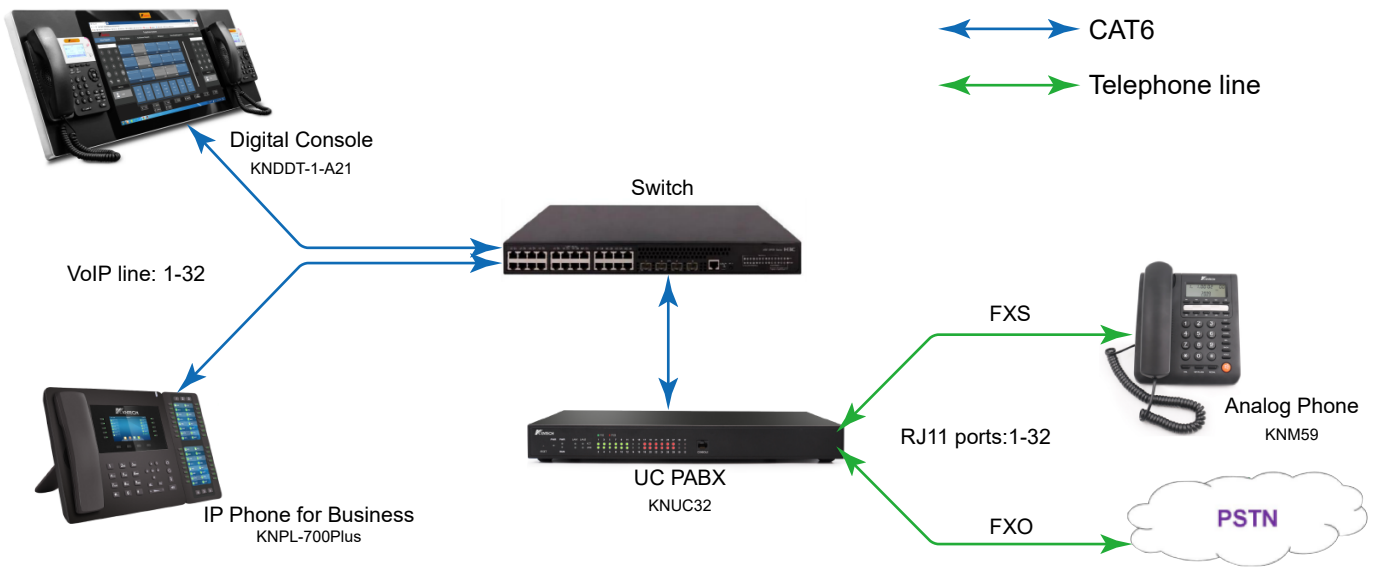
Is a flexible solution that can be adapted to meet the needs of businesses of all sizes.

- **Cost savings:**

Our UC PABX can help you save money on your telecommunications costs by eliminating the need for a traditional PBX and by reducing long distance calling costs.

- **Improved call quality:**

Our UC PABX can provide improved call quality compared to traditional phone systems by using the latest voice codecs and echo cancellation technology.



Specification

Installation	FXO/FXS/E&M, Maximum Port 32-192
LAN	10/100BASE RJ45*2
Speech coding	G.711a/μlaw, G.723.1, G.729A/B
Fax	T.38/Pass-through
VoIP protocol	SIP V2.0 (RFC3261,3262,3264) SDR, RTP/RTCP,DHCP,TFTP/HTTP/HTTPS
DTMF Mode	Signal/PFC2833/INBAND
Power	100-240VAC, 50-60 Hz 100W
Humidity	10% -90% no condensation
Operating temperature	0 C ~ 45 C
Index of protection	IP3X
Applicable Standards	EN 62368-1:2014/A11:2017/EN 55032:2015/A11:2020 EN 55035:2017/A11:2020





Technical Parameter

Hardware interface

Network Interface	RJ45 Gigabit interface (10/100 / 1000M Ethernet adaptive)
Reset switch	Support, Web configuration

Audio / video capability

Speech algorithm	G.711, 7.29, 7.23,7.26 encoding
Voice	G.711 A-law/ U-law, G.723.1, G.726, G.729A
Video coding	H.264.

Signaling protocol

DTMF detection method	Support RFC2833, SIP INFO
Digital signal	SIP2.0
Terminal management and automatic deployment capabilities	Support for SIP terminal plug -and-play auto-deployment (including DHCP / multicast SIP , support Remote upgrade,local upgrade)
Network protocol	TCP UDP IP, RTP DHCP,SSH,HTTP,SIP

Safety

Advanced defense	Alert events, whitelists, blacklists
------------------	--------------------------------------

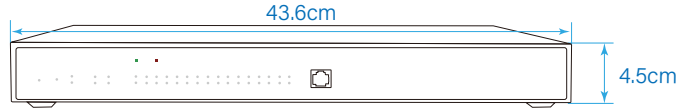
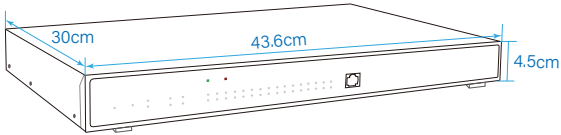
Physical characteristics

Global universal power supply	Input: 100~ ~ 240VAC, 50 / 60Hz;
Weight	Equipment weight: 4.2 Kg, for KNUC32
Use the environment	Operating environment:32 -113° F/0~ 45° C, humidity 10 - 90% (No condensation) Storage environment: 14-140°F / - 10 ~ 60° C, humidity 10 - 90% (No condensation)

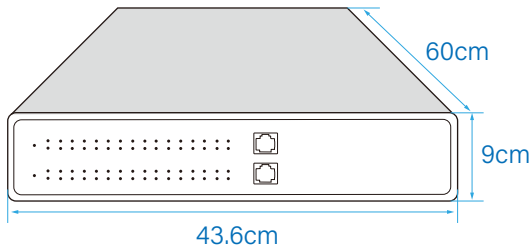
Installation	Desktop or cabinet installation
--------------	---------------------------------

Size display

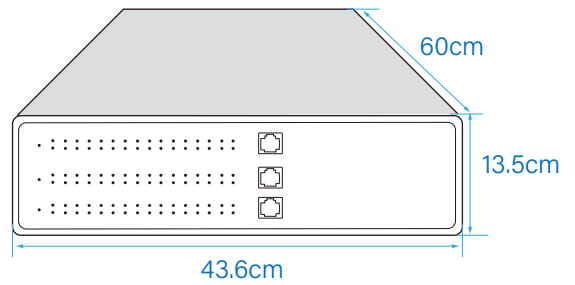
KNUC32



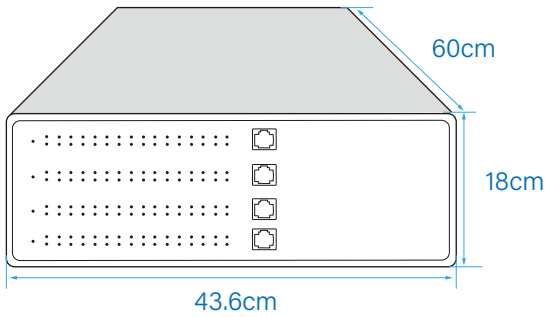
KNUC64



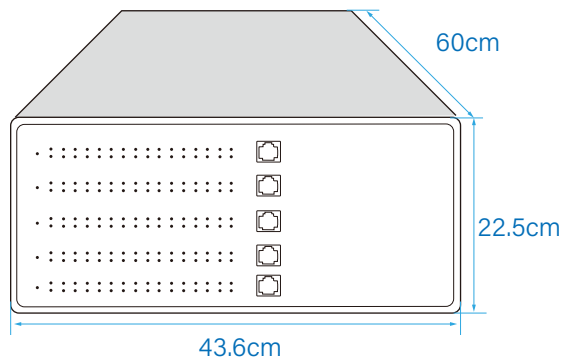
KNUC96



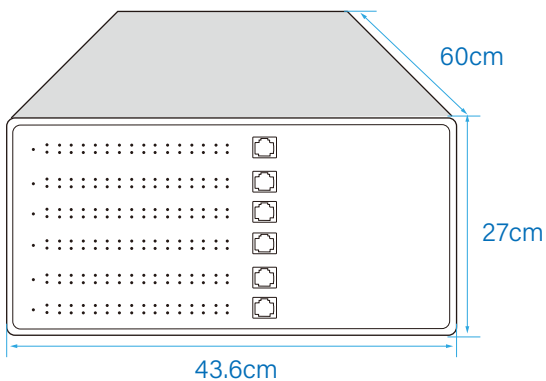
KNUC128



KNUC160



KNUC192



Photo

- Single power supply



- Dual power supply



- KNUC64



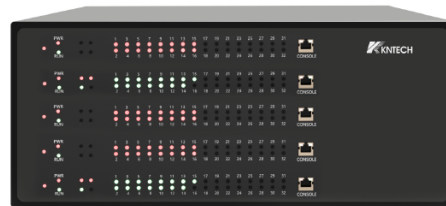
- KNUC96



- KNUC128



- KNUC160



- KNUC192



Powerhouse | Versatile | User-friendly

*Seamless Integration
Unlimited Possibility*

Web: www.koontech.com

Email: marketing@koontech.com

Tel: (HK Office) +852 9068 2799 / (Shenzhen Office) +86 755 2744 8753

Shenzhen Office: T3 1001, Yifang Center, Baoan, Shenzhen, China

HK Office: HongKong Office: Unit 2C, 2nd Floor, Ka To Factory Building 2, Cheung Yue Street, Kowloon, Hong Kong

Factory: KNTECH Building, Phoenix Mountain, Limhai Zone, Shajiao Community, Humen, Dongguan, China